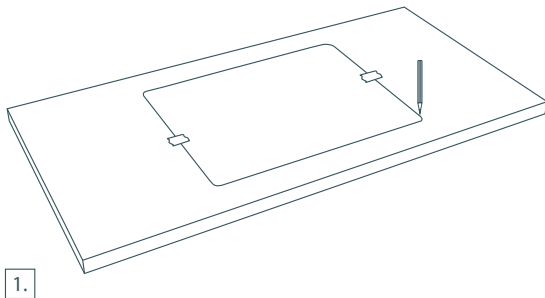
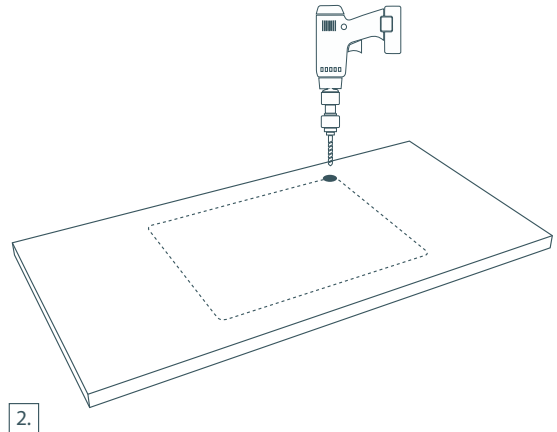




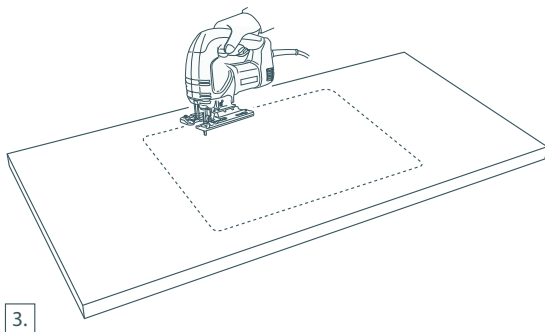
Installation over the countertop



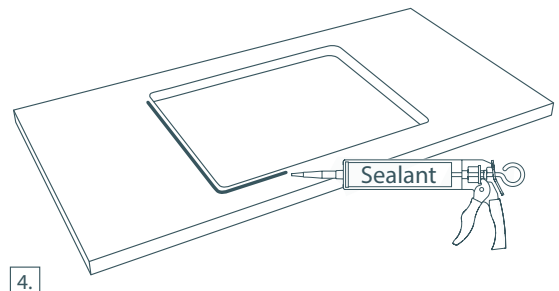
1.



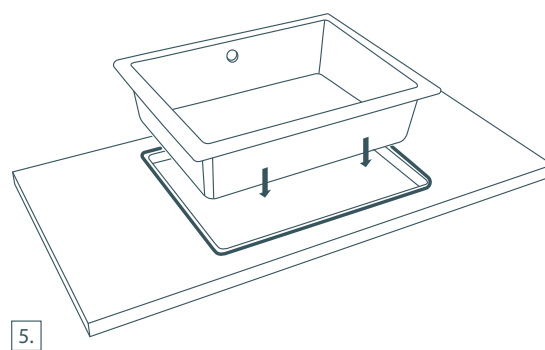
2.



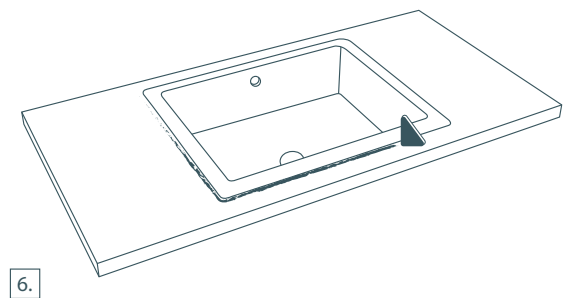
3.



4.



5.



6.

Topmount washbasins are suitable for all countertops and they are easily mounted in a standard way.

Read this manual carefully before using the washbasin. Follow the provided instructions and use the new product successfully.

**WARNING:** Before installing the washbasin, make sure that it is not damaged.

Please note that the template is provided as a guideline. To avoid mistakes, measure the length and width of the washbasin, turn it over and mark the dimensions with the marker. This type of process will ensure a more precise cut.

**WE RECOMMEND** entrusting installation work to professionals with specialized knowledge and skills.

**HOW TO INSTALL?** If you follow these steps below, you will install the washbasin successfully.

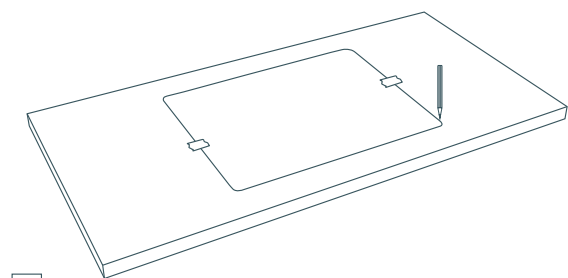
1. Choose the washbasin installation location, make sure it is completely flat and underneath the table top there is enough space to mount the sink holders. Place the template on the worktop at the selected location, attach it with a self-adhesive tape, check that it is in the correct position. Use the marker to mark the attached template.
2. Drill a 10 mm hole in each corner of the contour to insert the saw.
3. Use a suitable tool to cut the cavity on the worktop, following the marked cutting line.
4. Apply an elastic-hermetic seal to the edge of the cavity. Make sure it is evenly covered.
5. Place the washbasin gently into the prepared cavity on the worktop. Make sure you do it properly.
6. Wipe off excess elastic-hermetic sealant with a clean cloth.

**WARRANTY 2 YEARS.** During the manufacturer's warranty period, the manufacturer assumes responsibility for the manufacturing or material defects of the product. If such defects occur, please return the washbasin to the seller. It is necessary with the return of washbasin to provide the purchase documents that you must keep until the end of the warranty period.

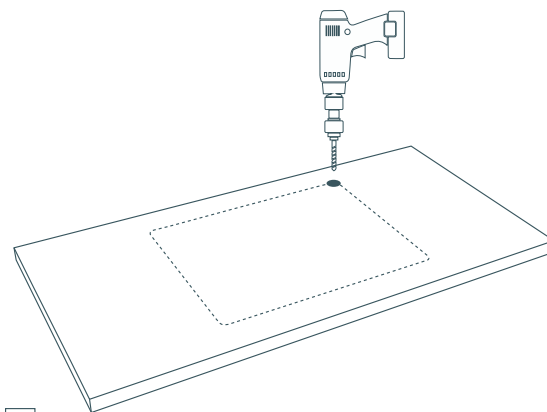
**THE WARRANTY DOES NOT APPLY** to parts and accessories included in the washbasin. Mechanical damage during use. Also defects caused by improper installation or improper maintenance of the washbasin.



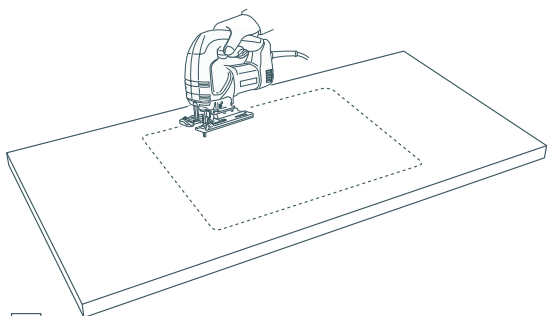
Installation under the countertop



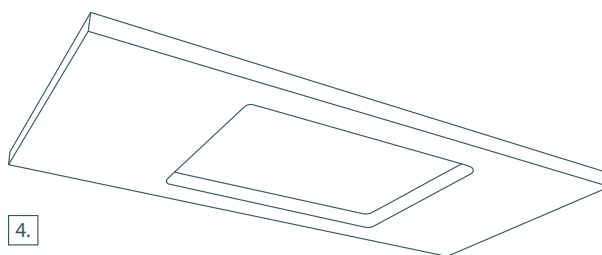
1.



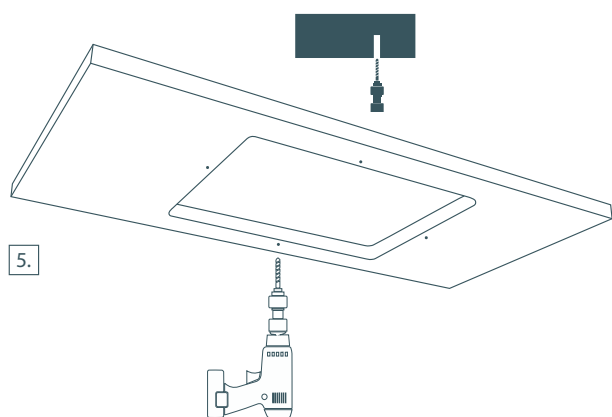
2.



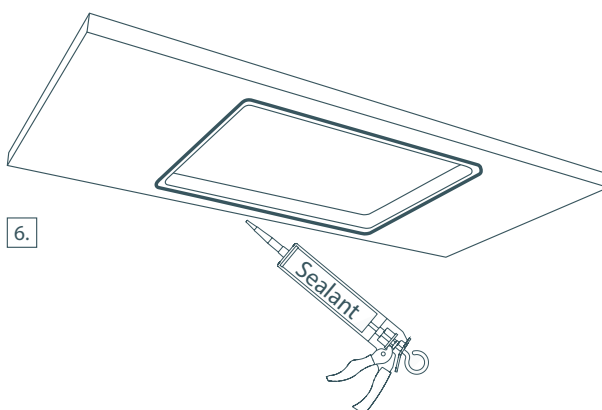
3.



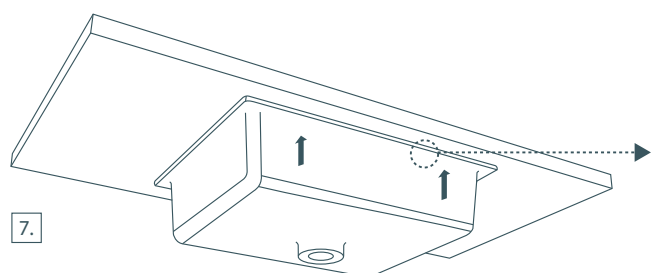
4.



5.



6.



7.



Undermount washbasins have excellent technical integration: maintaining a larger worktop area, making surfaces around easier to handle. Washbasins fit perfectly with natural or artificial stone, ceramic and glass countertops.

Read this manual carefully before using the washbasin. Follow the provided instructions and use the new product successfully.

**WARNING:** Before installing the washbasin, make sure that it is not damaged and make sure that the countertop you are going to use is strong enough, does not absorb moisture, and has a thickness of over 3 cm. Get to know the qualities of the countertop material (granite, stone, marble), which may change some of the installation features.

Please note that the template is provided as a guideline. To avoid mistakes, measure the length and width of the washbasin, turn it over and mark the dimensions with the marker. This type of process will ensure a more precise cut.

We recommend entrusting installation work to professionals with specialized knowledge and skills.

**HOW TO INSTALL?** If you follow these steps below, you will install the washbasin successfully.

1. Choose the installation location, make sure it is completely level, and there is enough space underneath the worktop to mount the sink holders. Place the cutting template on the worktop at the selected location, attach it with a self-adhesive tape, check that it is in the correct position.
2. Drill a 10 mm hole in each corner of the contour to insert the saw.
3. Place the cutting device (electric cutter) on the drawn line and cut the cavity on the worktop, following the marked cutting line.
4. Drill holes at the mounting points of the holders.
5. Drill holes at the mounting points of the holders.
6. Clean the edges of the wash basin. Check if they are smooth, greasy. Then apply the silicone evenly.
7. Attach the washbasin to the prepared opening below the countertop and press. Tighten the brackets after you made sure the position is correct.

**WARRANTY 2 YEARS.** During the manufacturer's warranty period, the manufacturer assumes responsibility for the manufacturing or material defects of the product. If such defects occur, please return the washbasin to the seller. It is necessary with the return of washbasin to provide the purchase documents that you must keep until the end of the warranty period.

**THE WARRANTY DOES NOT APPLY** to parts and accessories included in the washbasin. Mechanical damage. Also defects caused by improper installation or improper maintenance of the washbasin.